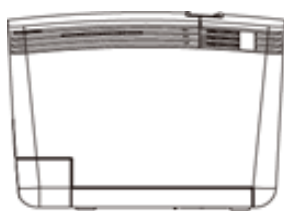
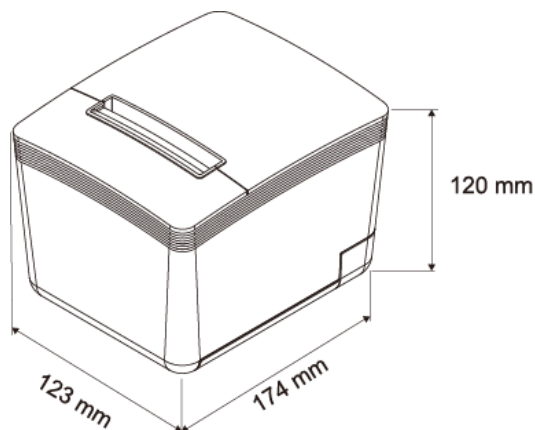


## High-Speed Thermal Receipt Printer

### PRP-300



- Dimensions**



Side View



Front View



Rear View



- Specifications**

Model	PRP-300
<b>General</b>	
Print Method	Thermal line printing
Print Speed	250mm/sec
Print Life	100 Km
Print Font (ASCII Mode)	ANK Font Font A: 12 x 24 dots Font B: 9 x 17 dots
Print Font (Graphic Font)	Chinese character: 24 x 24 dots
Print Resolution	576 dots/line or 512 dots/line
Print Font Character Support *	International Font, Big 5 Chinese, GB Chinese, Japanese, Korean selectable
Character Per Line	48 (Font A) / 42(Font B)
Effective Print Width	72mm
Paper Width	79.5mm± 0.5mm
Paper Roll Diameter	≤ 83mm
Paper Thickness	0.06~0.08mm
Driver	Win 9X/Win ME/Win 2000/Win 2003/Win NT/Win XP/Win Vista/Win 7, compatible with EPSON and SAMSUNG
Print Command	ESC/POS print commands set
Auto Cutter	Partial
Paper End Detection	Yes
Over-Heat Halt-on Protection	Yes
<b>Buffer</b>	
Receipt Buffer	128K bytes
User-Defined Buffer	128K bytes
NV Flash Buffer	256K bytes
<b>Interface</b>	
Serial	
Parallel	Multi I/O Interface
USB	(Serial +Ethernet +USB)
Ethernet	
Cash Drawer	DC 24V/1A, 6-Wire RJ-11 Socket
<b>Others</b>	
Power Input	24VDC/2.5A (with External Adapter 100~240VAC 50/60Hz)
Color	Black/White
Compliance	FCC / CE / WEEE / RoHS
Weight	1220 g ( without cable )
Dimension (L x W x H: mm)	174 x 144 x 124
Operating Temperature	0°C~45°C
Operating Humidity	10%~80% RH non-condensing
Storage Temperature	-10°C~60°C
Storage Humidity	10%~90% RH non-condensing

