



KC200 KC200B



COMPACT CARD PERSONALIZATION MODULES FOR SELF-SERVICE KIOSKS

KC200 and KC200B printers offer cost-effective solutions to enable instant issuance of personalized plastic cards. The Evolis Premium SDK and the total accessibility of the various components and connectors allow KC200 and KC200B to be smoothly integrated into any type of self-service kiosks.

COMPACT AND ROBUST

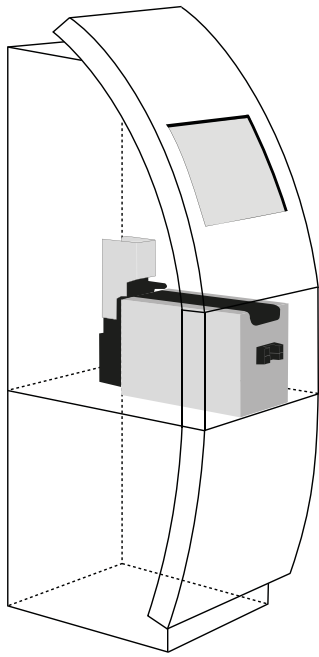
- KC200 and KC200B printers successfully combine compactness and autonomy with a 200-card feeder.
- KC200 and KC200B benefit from Evolis latest innovations in card printing modules. The metal housing of these printers makes their integration into your system simpler and durable.

CONFIGURATION ON DEMAND

- You can easily configure card management: cards returned using an exit slot (bezel on KC200B printer) and different configuration possibilities like frontal or rear feeding and card exit.
- KC200 and KC200B solutions are fully modular: they can print either single or dual sided cards and can also be equipped with encoders for magnetic stripe or for contact and contactless smart cards.

EASY TO USE

- In order to limit and facilitate everyday maintenance operations, KC200 and KC200B printers offer remote notifications on the status of the printer and consumables such as the card or ribbon level alert.
- Thanks to the Evolis Premium SDK, you can integrate KC200 and KC200B into your own application and monitor them over a local network or the cloud.



KC200



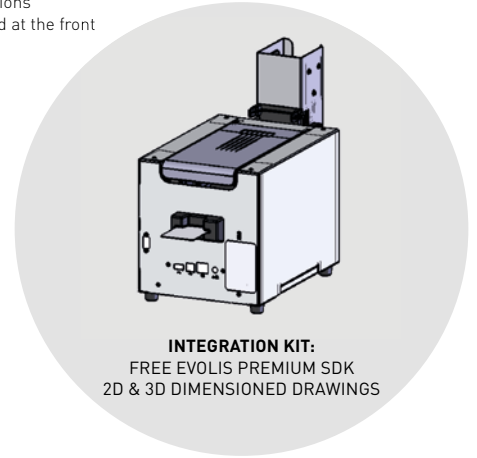
Connections at the rear

KC200B



Bezel

Connections relocated at the front



INTEGRATION KIT:
FREE EVOLIS PREMIUM SDK
2D & 3D DIMENSIONED DRAWINGS

MAIN FEATURES

GENERAL FEATURES

- Dual-sided printing module
- Edge-to-edge printing
- Color dye sublimation, monochrome thermal transfer
- Standard 300 x 300 dpi resolution
- Customizable 300 x 600 dpi resolution or 300 x 1200 dpi resolution (monochrome printing only)
- 32 MB memory (RAM)

PRINTING PERFORMANCES¹

- Single side:
 - Color (YMCKO): 20.5 s per card
 - Monochrome: 7 s per card
- Dual side:
 - Color (YMCKO-K): 28 s per card

INTERFACES

- USB (1.0, 1.1, 2.0, 3.0)
- Ethernet TCP-IP 10BaseT, 100BaseT (Traffic Led)

LOADING AND RETURNING CARDS

- Card input hopper: 200 cards (0.76 mm - 30 mil) or 100 cards (0.76 mm - 30mil) without metallic cassette
- Reject slots for defective cards
- KC200: card exit in the kiosk terminal output tray
- KC200B:
 - Manual card insertion and return with bezel
 - Ability to retract unretrieved cards

CARD SPECIFICATIONS

- Card thickness: 0.76 mm (30 mil)
- Card types: PVC cards, composite PVC cards, PET cards, ABS cards¹, special varnished cards¹
- Card format: ISO CR80 - ISO 7810 (53.98 mm x 85.60 mm)

DISPLAY

- Printer LEDs
- Printer graphical notifications: cleaning alerts, empty/low level ribbon and cards alert...

ADDITIONAL ENCODING MODULES

- Available modules:
 - Magnetic stripe encoder ISO 7811 HiCo/LoCo
 - Contact smart card encoder - PC/SC, EMV 2000-1
 - Contactless smart card encoder - ISO 14443A, B, ISO15693, Mifare, DesFire, HID iCLASS, LEGIC
 - Other specific encoders upon request
- Internal USB or IP ports
- Options can be combined

SAFETY

- Data encryption for magnetic encoding

EVOLIS HIGH TRUST[®] RIBBONS

To maximize the quality and durability of printed cards, the lifespan of the print head and the overall printer reliability, use Evolis High Trust[®] ribbons.

- Ribbon capacity:
 - YMCKO: 300 prints/roll
 - YMCKO-K: 200 prints/roll
 - ½ YMCKO: 400 prints/roll
 - KO: 600 prints/roll
 - Black monochrome ribbon: 2000 prints/roll¹
 - Other monochrome ribbons: 1000 prints/roll¹
 - SO-KO: 250 prints/roll
- Ribbon saver for monochrome printing

SOFTWARE

- Compatible with Windows[®] (32/64 bits): XP SP3, Vista, W7, W8, W10
- Mac OS X (from 10.6 onwards)
- Linux upon request
- Evolis Premium Suite[®]:
 - Printer driver
 - Evolis Print Center for printer administration and settings
 - Evolis Printer Manager for graphical notification²
 - 24/7 online support
- Evolis Premium SDK free of charge for remote supervision of the printer, while facilitating and speeding up integration into IT systems

ECO-FRIENDLY DESIGN, CERTIFICATIONS AND STATEMENT OF COMPLIANCE

- Standby mode & reduced energy consumption
- CE, FCC, ICES, VCCI, CCC
- RoHS

OPERATING ENVIRONMENT

- Standard operating temperature and humidity rate:
 - 15° / 30° C (59° / 86° F)
 - 20% to 65% non-condensing
- Min / Max operating temperature and humidity rate³:
 - 0° / 40° C (32° / 104° F)
 - 20% to 65% non-condensing
- Min / Max storage temperature: -5° / +70° C (23° / 158° F)
- Storage humidity rate: 20% to 70% non-condensing
- Operating ventilation: free air

SIZE AND WEIGHT

- Size (H x W x D):
 - KC200: 307 x 199 x 378 mm (12.09" x 7.84" x 14.88") with feet: H: 322 mm (12.68")
 - KC200B: 307 x 199 x 399 mm (12.09" x 7.84" x 15.70") with feet: H: 322 mm (12.68")
- Weight:
 - KC200: 5.6 kg (12.34 lbs)
 - KC200B: 5.8 kg (12.78 lbs)

WARRANTY⁴

- 1-year warranty (excluding print head)
- Warranty extension available as an option

¹ Under specific conditions / ² Requires the .net 4.0 client profile version / ³ Under specific conditions and project qualification
⁴ Warranty subject to observance of specific conditions and use of Evolis High Trust[®] ribbons



ISO 9001: 2008

